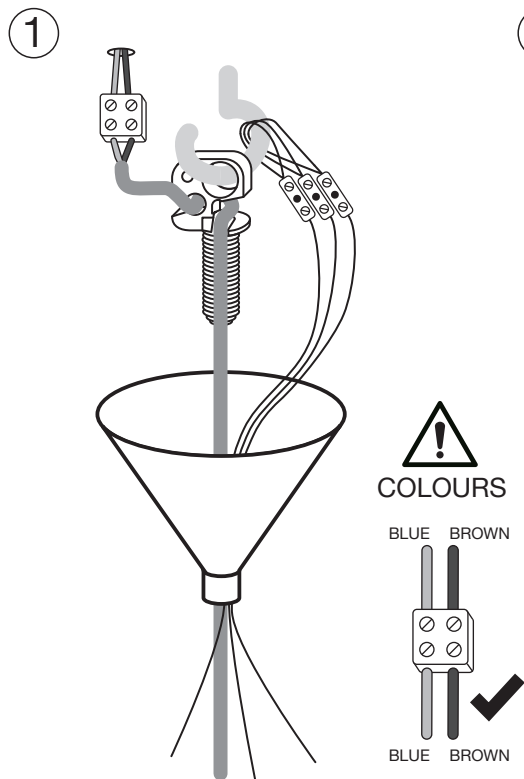


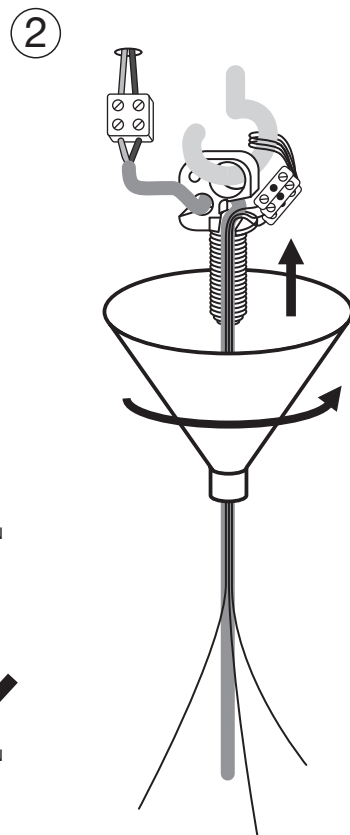
# Magnum 4202 | Instructions

Secto<sup>®</sup>  
DESIGN

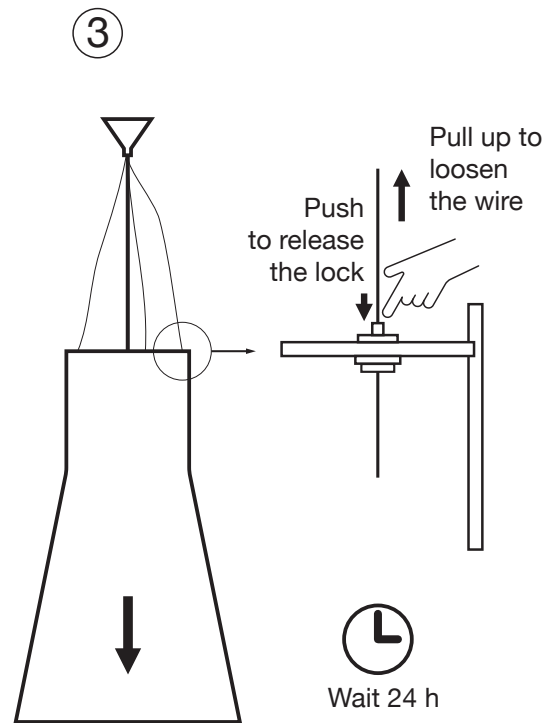


Install the power cord and support wires as illustrated.

NB. The power connector may vary according to the local standard or regulations. Consult an authorized electrician if necessary.

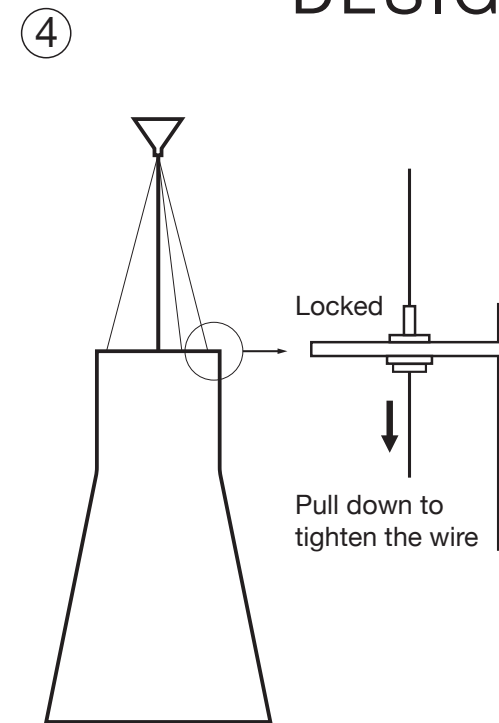


Insert the wires into the cord slot.  
Tighten the cup to the screw according to the separate manual.



Loosen all three steel wires and let the whole weight of the lampshade rest on the power cord only.

Leave for 24 hours to stabilize the height.



Tighten the support wires by pulling them.

You may cut the extra length.



The cable can only be replaced by the manufacturer or a certified electrician.