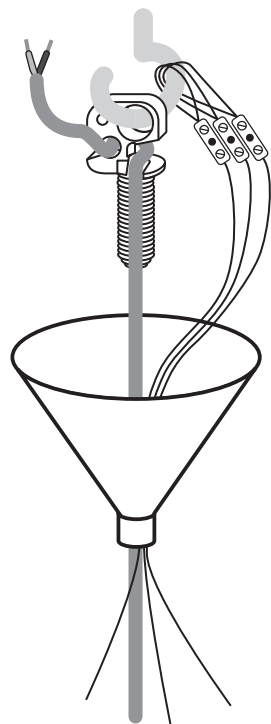


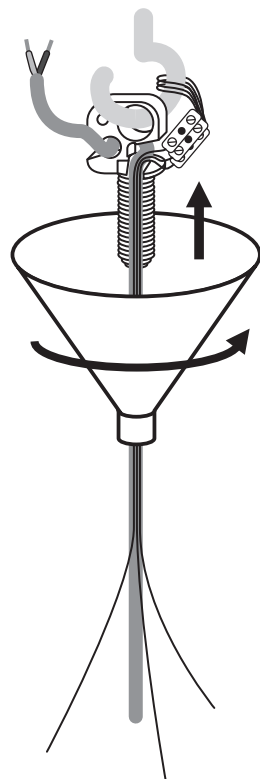
①



Install the power cord and support wires as illustrated.

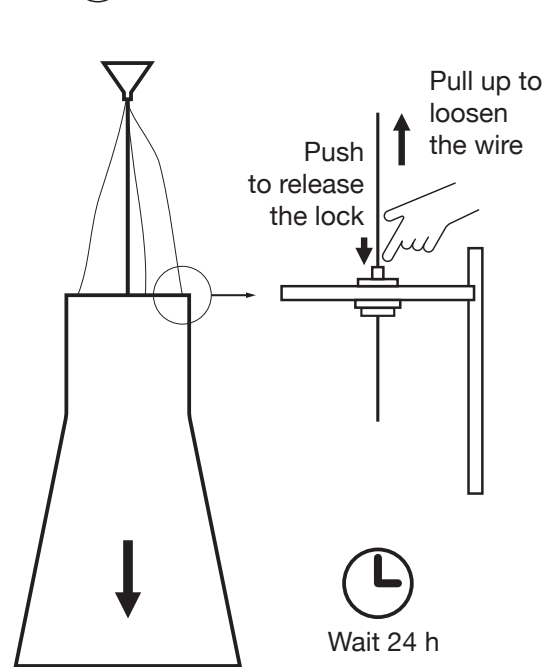
NB. The power connector may vary according to the local standard or regulations. Consult an authorized electrician if necessary.

②



Insert the wires into the cord slot.  
Tighten the cup to the screw according to the separate manual.

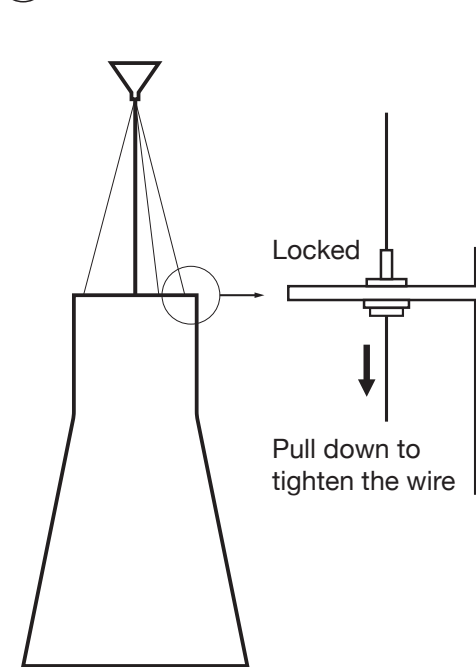
③



Loosen all three steel wires and let the whole weight of the lampshade rest on the power cord only.

Leave for 24 hours to stabilize the height.

④



Tighten the support wires by pulling them.

You may cut the extra length.



The cable can only be replaced by the manufacturer or a certified electrician.