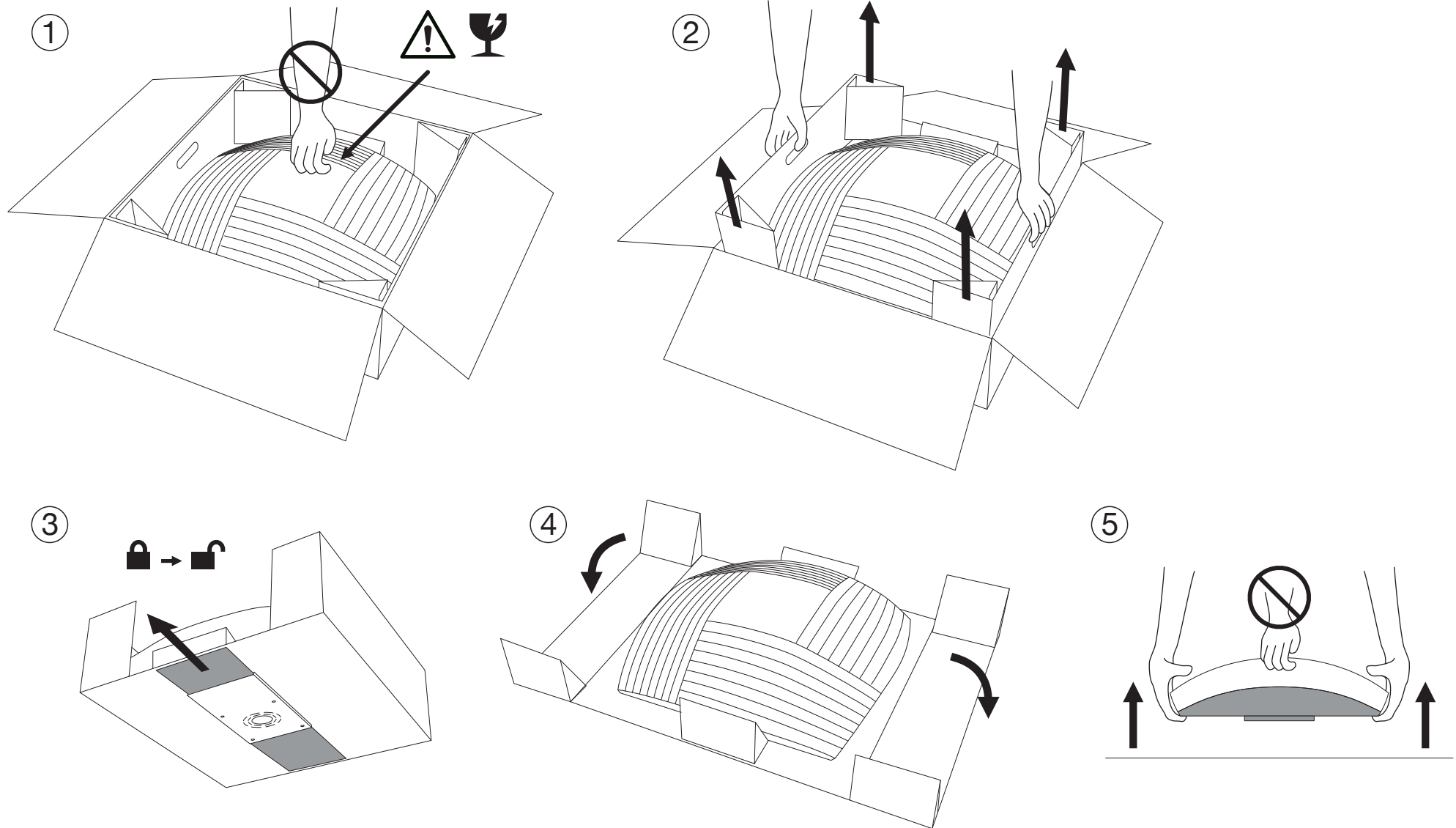


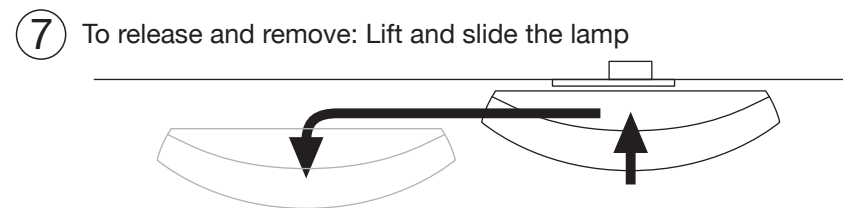
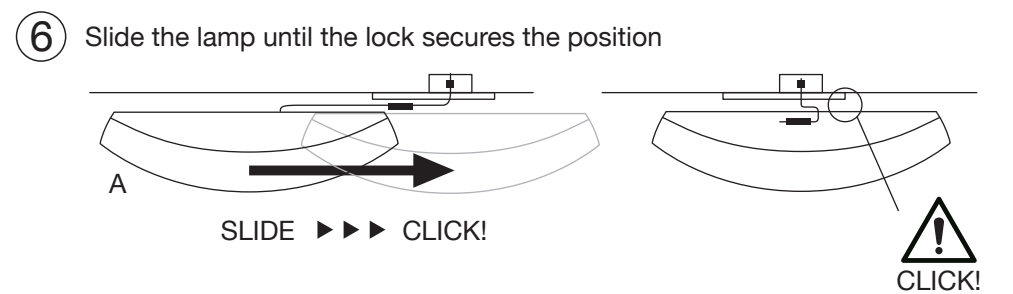
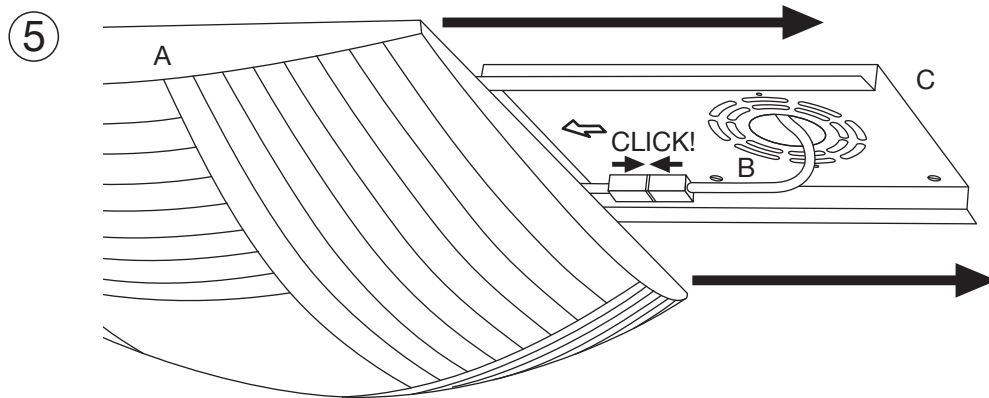
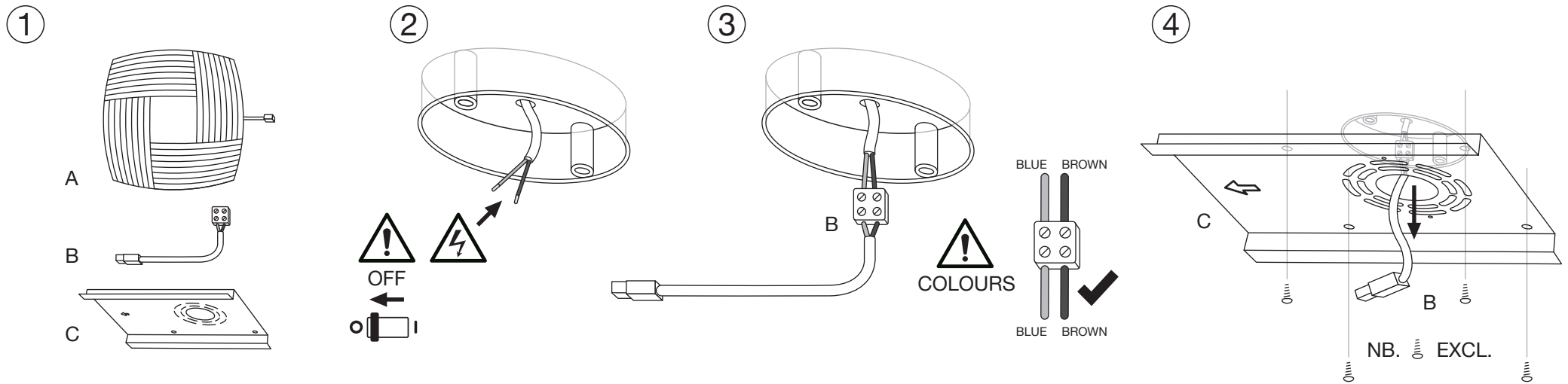
Kuulto 9100 | Kuulto Small 9101 | Opening Instructions

Secto
DESIGN



Kuulto 9100 | Kuulto Small 9101 | Instructions

Secto
DESIGN



! The cable and the built-in LEDs can only be replaced by the manufacturer or a certified electrician.