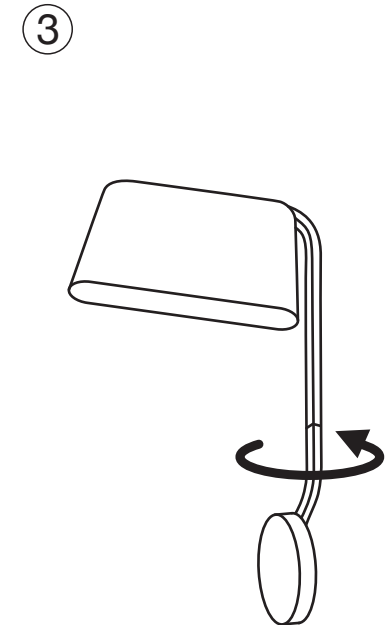
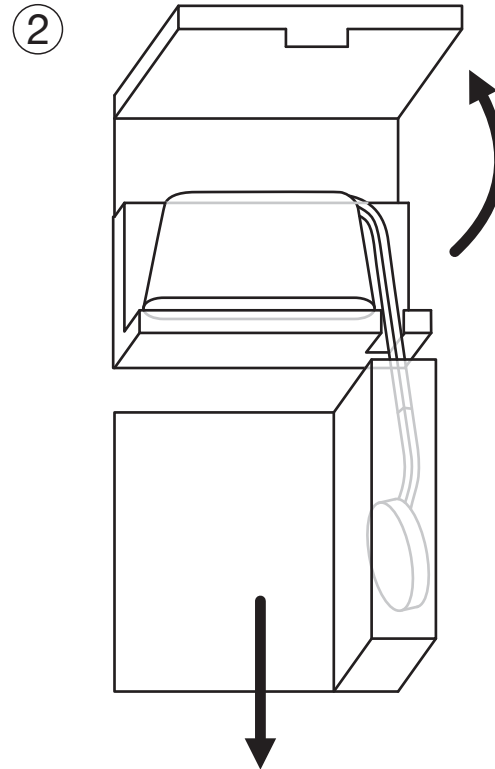
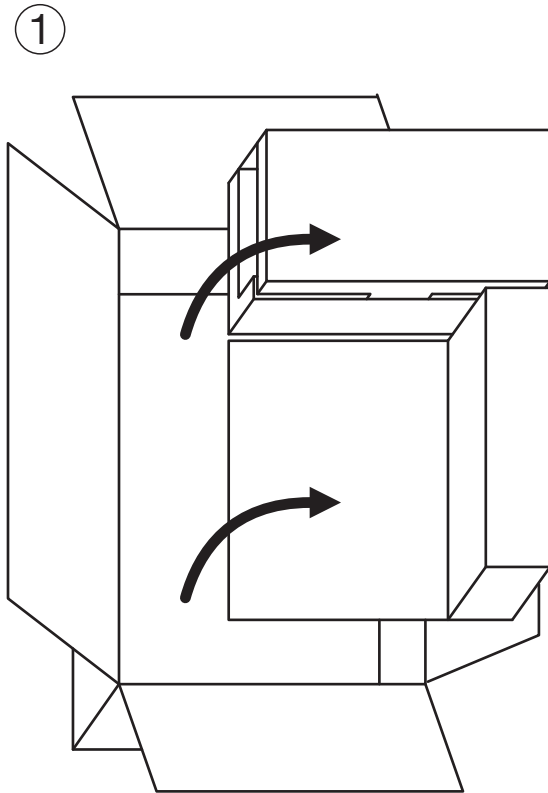


# Owalo 7030 | Instructions

**Secto**  
DESIGN

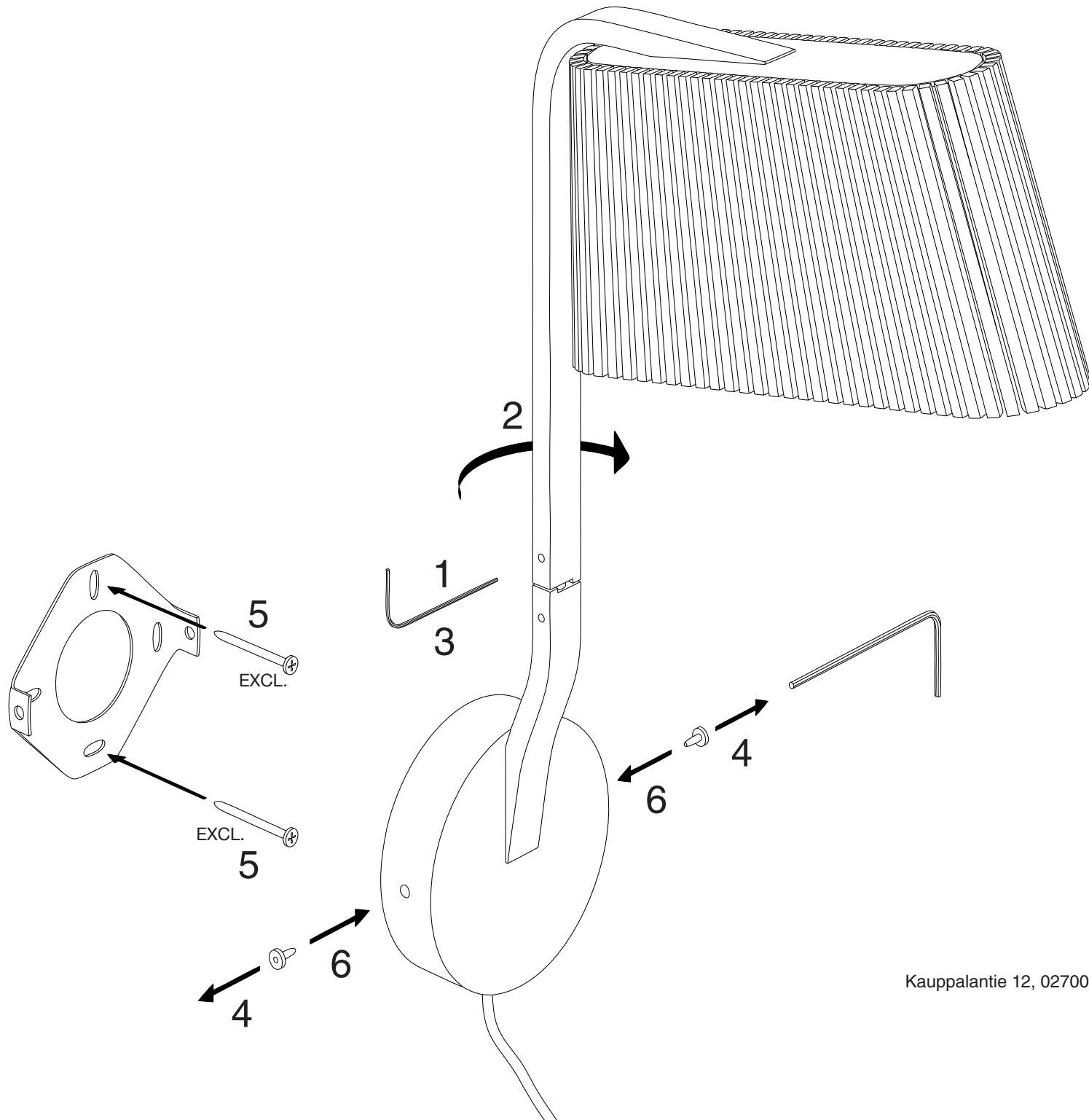
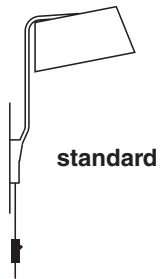


The cable and the built-in LEDs can only be replaced by the manufacturer.

# Secto DESIGN

Owalo 7030

03/2020

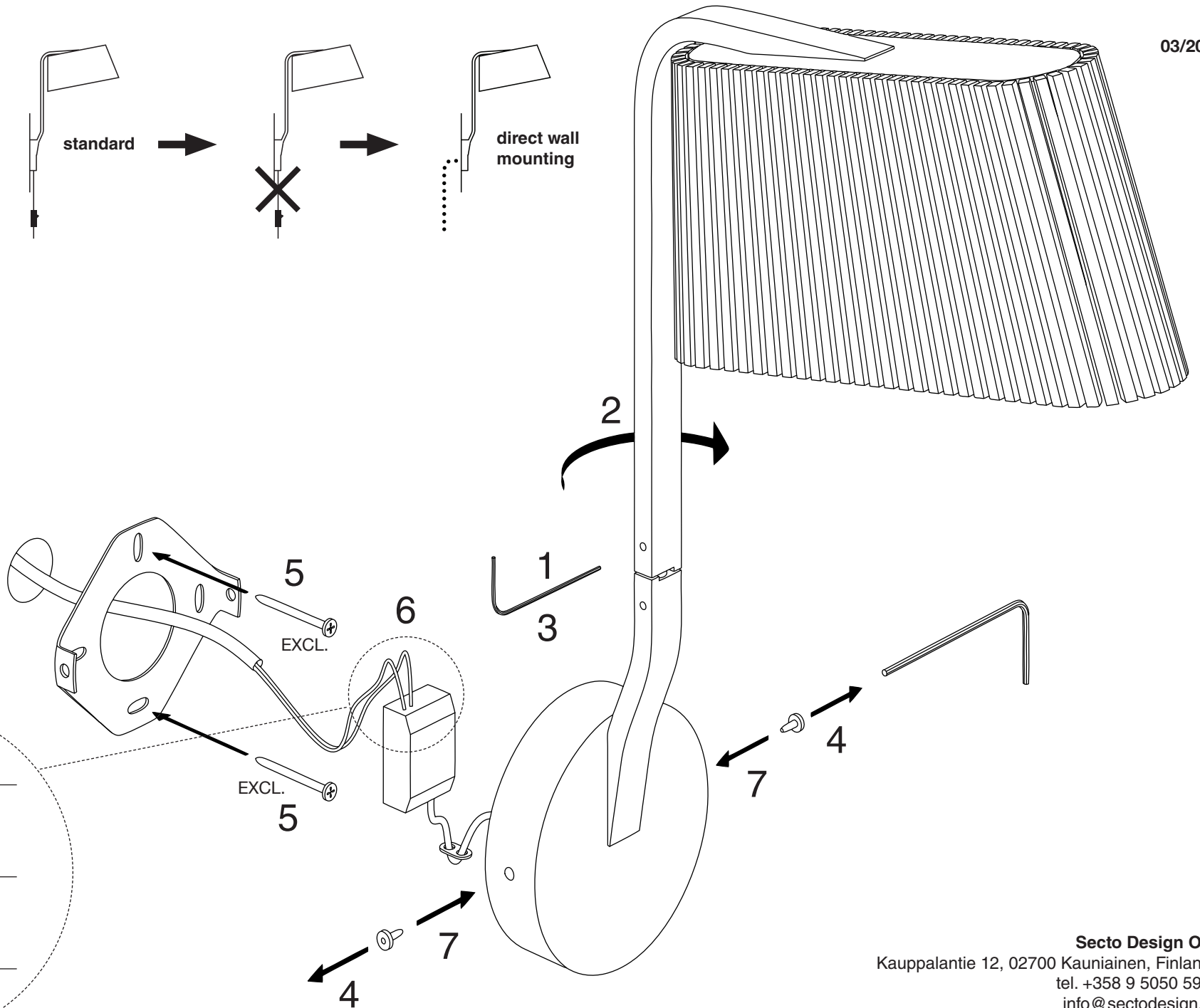
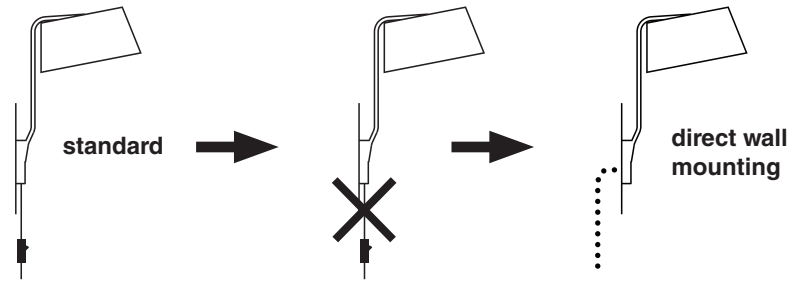


**Secto Design Oy**  
Kauppalantie 12, 02700 Kauniainen, Finland  
tel. +358 9 5050 598  
info@sectodesign.fi  
www.sectodesign.fi

# Secto DESIGN

Owalo 7030

03/2020



## Connections

| CN1 | Function   |
|-----|------------|
| L   | VAC in (L) |
| N   | VAC in (N) |
| CN2 | Function   |
| +   | LED+       |
| -   | LED-       |

**Secto Design Oy**  
 Kauppalantie 12, 02700 Kauniainen, Finland  
 tel. +358 9 5050 598  
 info@sectodesign.fi  
 www.sectodesign.fi