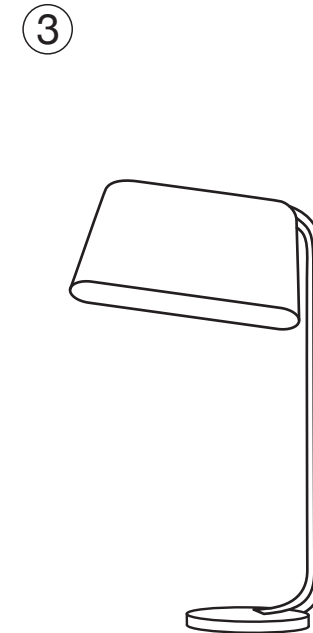
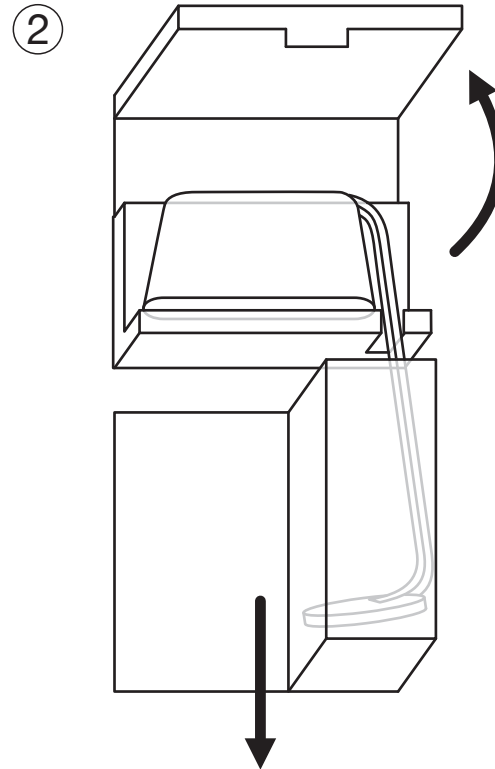
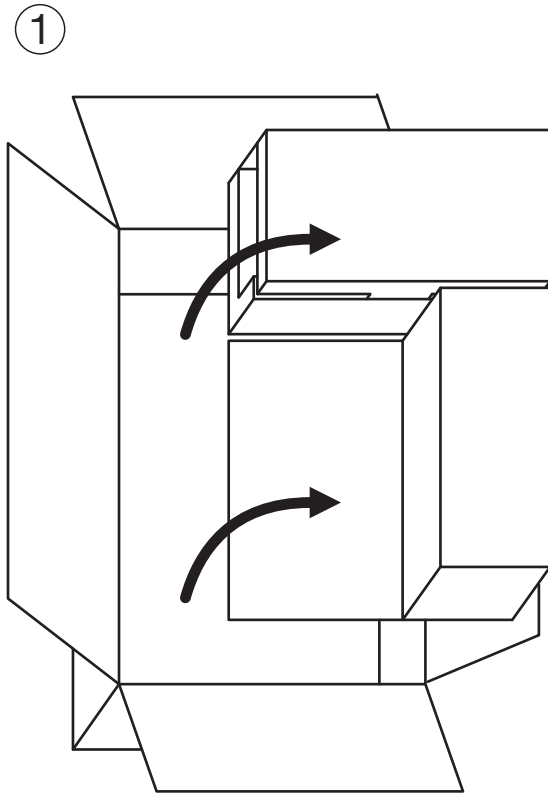


Owalo 7020 | Instructions

Secto[®]
DESIGN



The cable and the built-in LEDs can only be replaced by the manufacturer or a certified electrician.