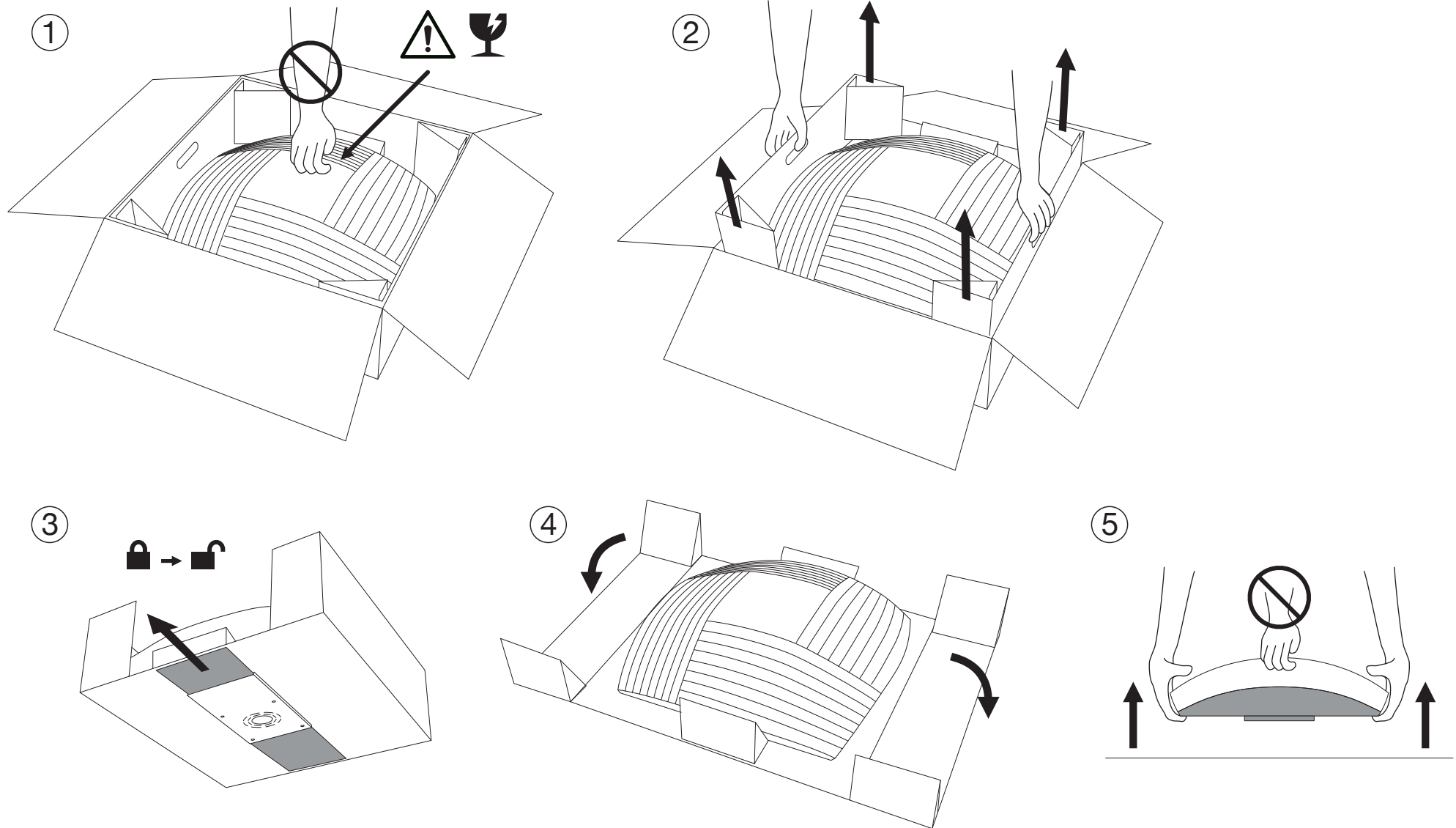


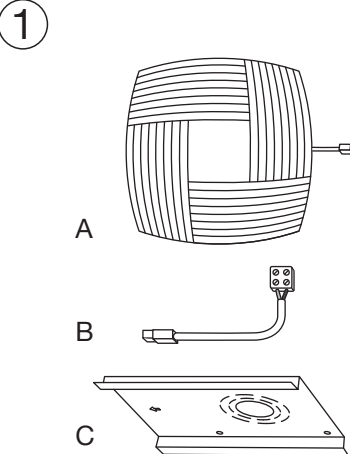
# Kuulto 9100 | Kuulto Small 9101 | Opening Instructions

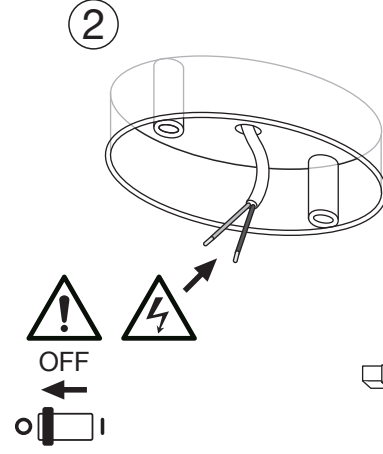
**Secto**  
DESIGN

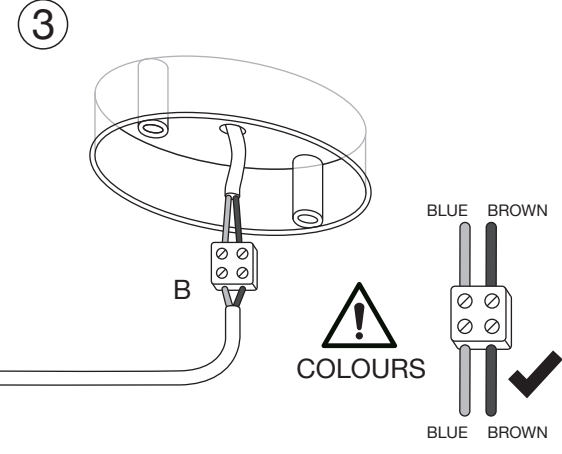


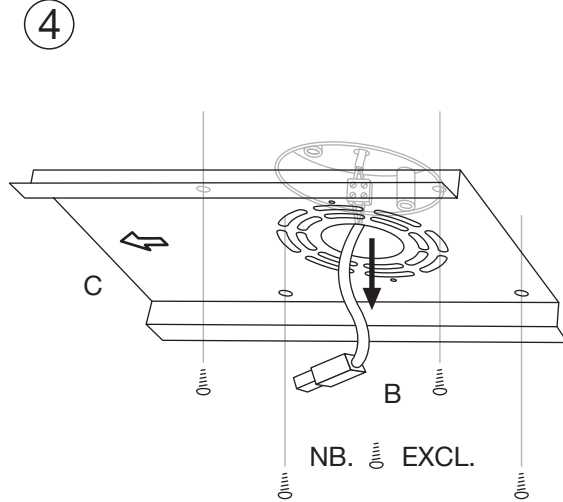
# Kuulto 9100 | Kuulto Small 9101 | Instructions

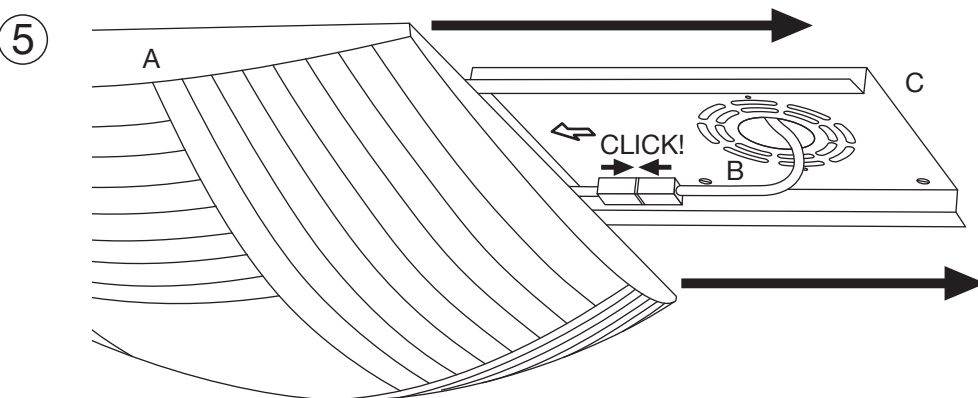
**Secto**  
DESIGN

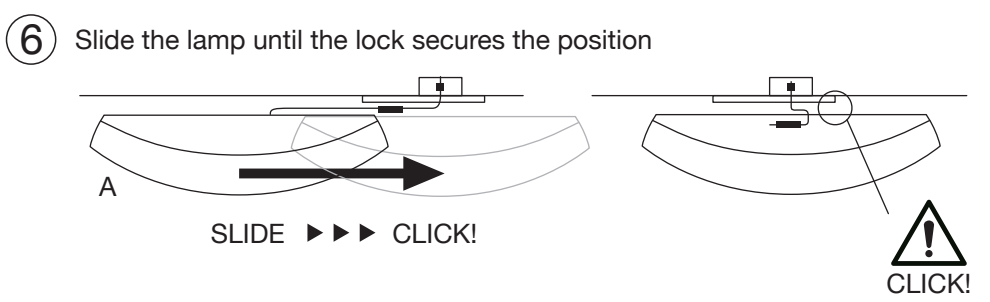
- 

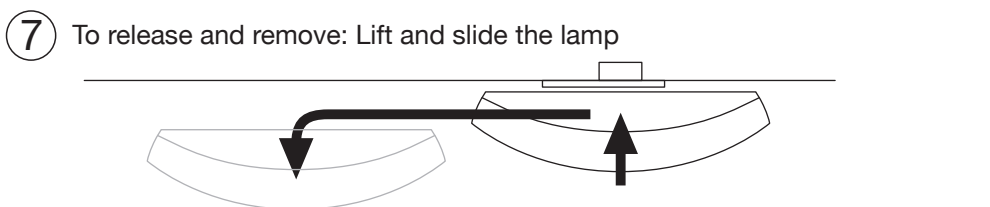
1
- 

2
- 

3
- 

4
- 

5
- 

6 Slide the lamp until the lock secures the position
- 

7 To release and remove: Lift and slide the lamp



The cable and the built-in LEDs can only be replaced by the manufacturer.